

# ES40-12

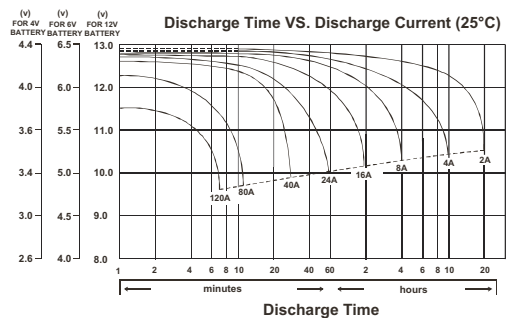
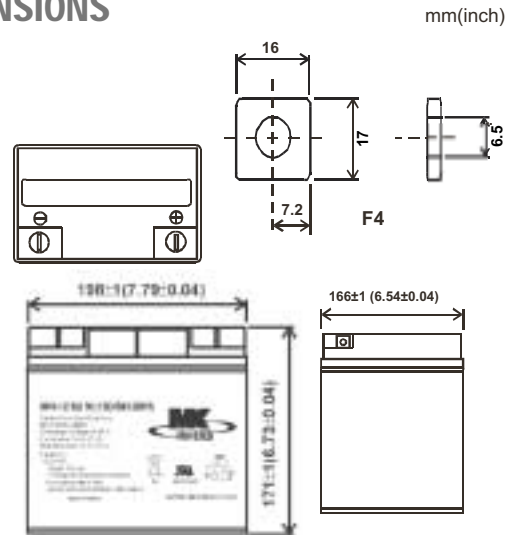
## SPECIFICATIONS

Nominal Voltage (V)	12V
Nominal Capacity	
20hour rate ( 2.25A to 10.50V )	45Ah
10hour rate ( 4.5A to 10.50V )	45Ah
5hour rate ( 7.65A to 10.20V )	38.25Ah
1C ( 45A to 9.60V )	20.25Ah
3C ( 135A to 9.60V )	16.2Ah
Weight	31.04 Lbs. (14.109 kg)
Internal Resistance (at 1KHz)	6 mΩ
Maximum Discharge Current for 30 seconds :	900A
Maximum Discharge Current for 5 seconds :	1800A
Operating Temperature Range	
Charge	0°C(32°F) to 40°C (104°F)
Discharge	-15°C(5°F) to 50°C (122°F)
Storage	-15°C(5°F) to 40°C (104°F)
Charge Retention (shelf life) at 20°C (68°F)	
1 month	92%
3 month	90%
6 month	80%
Charging Methods at 25°C (77°F)	
Cycle use :	Charging Voltage 14.4 to 15.0V Maximum Charging Current 13.5A
Standby use :	Float Charging Voltage 13.50 to 13.80V No current limit required
Life expectancy :	
Cycle Use :	100% depth of discharge 250 cycles 80% depth of discharge 350 cycles 50% depth of discharge 550 cycles
Standby Use :	3-5 years
Case Material	ABS (94-HB & 94V-0 flame retardant case)
Terminal	F4

Maintenance-Free Rechargeable Sealed Lead-Acid Battery



## DIMENSIONS



**MK Battery**

1645 South Sinclair Street • Anaheim, California 92806

Toll Free: 800-372-9253 • Fax: 714-937-0818 • E-Mail: sales@mkbattery.com

